

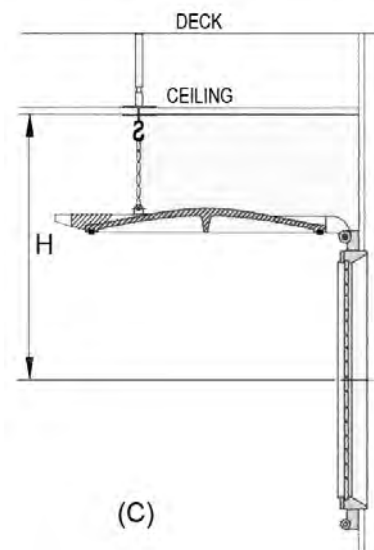
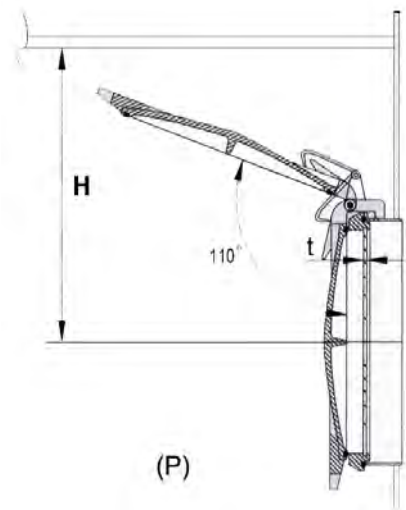
MARINE SIDE SCUTTLE

GB/T 14413-1993

DUTY	TYPE	SIZE OF CLEAR D (mm)	OPENING TYPE		INSTALL TYPE	CODE OF MATERIAL		TYPE OF DEADLIGHT LOCKING	GLASS	USING SCOPE
			OPENING	FIXED		BOLTED	WELDED			
HEAVY	A	200 250 300 350 400	LEFT (L)		BOLTED (B)	112	212	DROP-PAWL (P)	CLEAR (Y1)	BELOW OF BULKHEAD DECK OR FREEBOARD DECK FOR SEAGOING VESSEL; ABOVE THE LOAD WATER LINE AND PERMITS OPENING ON BOARD; AND WHERE HAS WATERTIGHT AND GASTIGHT REQUEST.
			RIGHT (R)			222	222			
MEDIUM	B	200 250 300 350 400 450	COMMON HINGE (S)	FIXED (N)	BOLTED (B)	112	212	CHAIN (C)	FROSTED (Y2)	BOARD ABOVE OF BULKHEAD DECK OR FREEBOARD DECK, ENDSIDE OF DECK MAIN STRUCTURE FOR PASSENGER SHIP; FREEBOARD DECK ON TOP LEVEL OF DECK MAIN STRUCTURE FOR NON-PASSENGER SHIP.
						WELDED (W)	222			
LIGHT	C	200 250 300 350 400 450	LEFT (L)		WELDED (W)	220	210	NIL		FIRST LEVEL ABOVE OF BULKHEAD DECK OR FREEBOARD DECK, AND BOARDSIDE AND ENDSIDE OF MAIN STRUCTURE FOR PASSENGER SHIP; BOARDSIDE AND ENDSIDE ON FIRST LEVEL ABOVE FREEBOARD DECK FOR NON-PASSENGER SHIP.
			RIGHT (R)			330	220			

CODE OF MATERIAL

TYPE	INSTALL TYPE	MATERIAL			CODE OF MATERIAL
		MAIN FRAME	WINDOW FRAME & GLASS KEEPER	DEADLIGHT	
A	BOLTED	COPPER (1)	COPPER (1)	STEEL (2)	112
	WELDED	STEEL (2)	COPPER (1)	STEEL (2)	212
		STEEL (2)	STEEL (2)	STEEL (2)	222
B	BOLTED	COPPER (1)	COPPER (1)	STEEL (2)	112
		STEEL (2)	STEEL (2)	STEEL (2)	222
		ALUMINUM (3)	ALUMINUM (3)	ALUMINUM (3)	333
	WELDED	STEEL (2)	COPPER (1)	STEEL (2)	212
		STEEL (2)	STEEL (2)	STEEL (2)	222
		STEEL (2)	ALUMINUM (3)	ALUMINUM (3)	233
C	BOLTED	STEEL (2)	STEEL (2)	---	220
		ALUMINUM (3)	ALUMINUM (3)	---	330
		COPPER (1)	COPPER (1)	---	110
	WELDED	STEEL (2)	COPPER (1)	---	210
		STEEL (2)	STEEL (2)	---	220
		STEEL (2)	ALUMINUM (3)	---	230



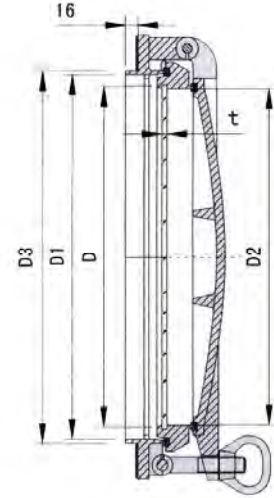
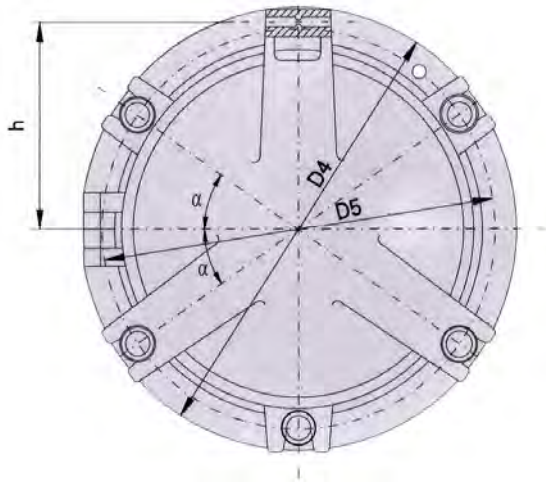
MIN. DISTANCE BETWEEN CENTRE OF SCUTTLE TO CEILING - H

TYPE OF DEADLIGHT LOCKING	SIZE OF CLEAR - D (mm)					
	200	250	300	350	400	450
DROP-PAWL (P)	H = 350	H = 400	H = 450	H = 500	H = 540	H = 580
CHAIN (C)	SELECTED BY DESIGNER					

MARINE SIDE SCUTTLE

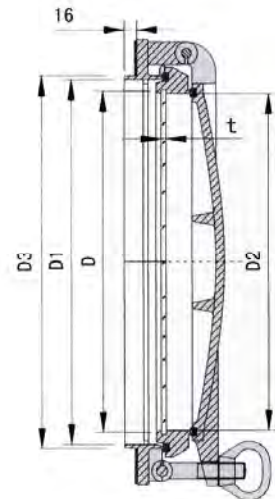
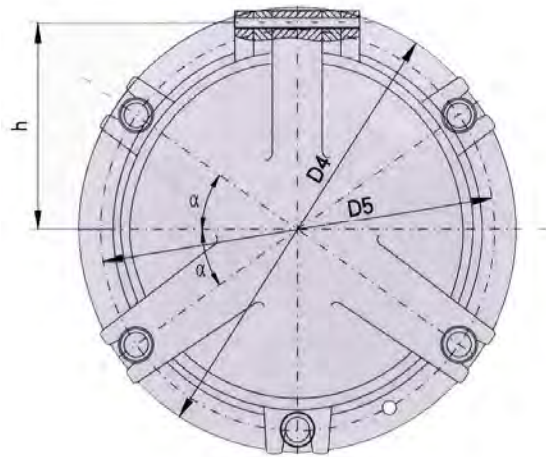
GB/T 14413-1993

TYPE-A LB / RB MODE



TYPE	SIZE OF CLEAR D (mm)	D1	D2	D3	D4	D5	h	t	α	QTY. OF CLIP		BOLT		SIZE OF OPENING	
										DEADLIGHT	GLASS KEEPER	THREAD	QUANTITY		
A	LB	200	245	204	250	350	310	155	10	45°	2	3	M16	8	253
		250	295	254	305	400	364	182	12	48°	2	3	M16	8	308
	RB	300	350	304	360	450	414	207	15	31°	3	3	M16	12	363
		350	400	354	410	500	464	232	15	31°	3	3	M16	12	413
		400	450	404	460	550	514	257	19	31°	3	3	M18	12	463

TYPE-A SB MODE

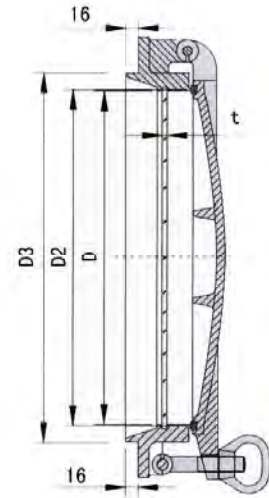
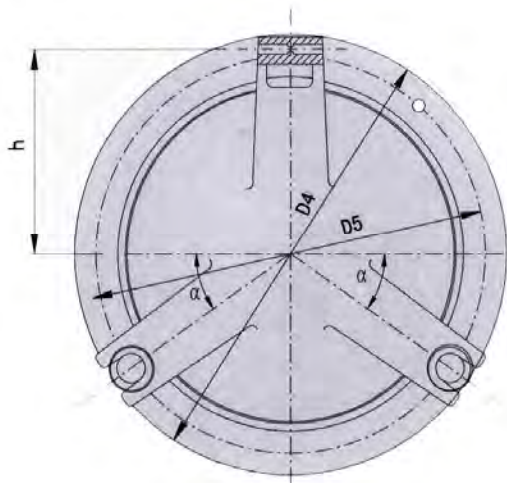


TYPE	SIZE OF CLEAR D (mm)	D1	D2	D3	D4	D5	h	t	α	QTY. OF CLIP		BOLT		SIZE OF OPENING	
										DEADLIGHT	GLASS KEEPER	THREAD	QUANTITY		
A	SB	200	245	204	250	350	310	155	10	45°	2	3	M16	8	253
		250	295	254	305	400	364	182	12	42°	2	3	M16	8	308
	SB	300	350	304	360	450	414	207	15	31°	3	3	M16	12	363
		350	400	354	410	500	464	232	15	31°	3	3	M16	12	413
		400	450	404	460	550	514	257	19	31°	3	3	M18	12	463

MARINE SIDE SCUTTLE

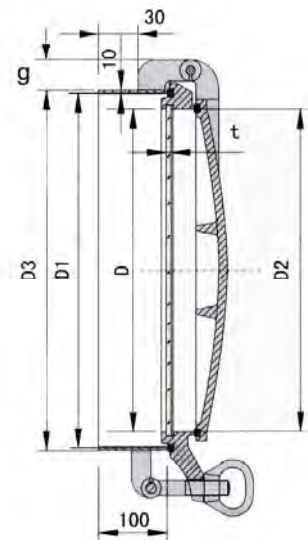
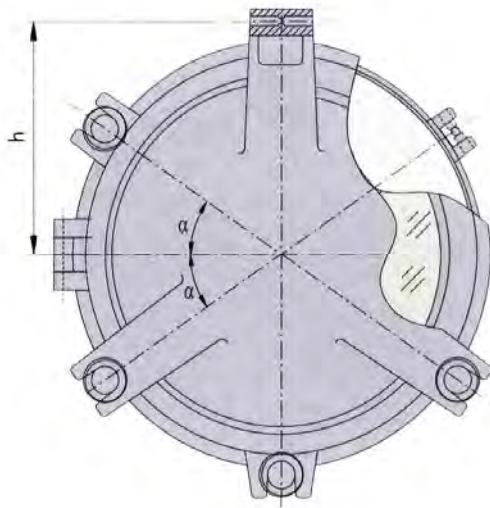
GB/T 14413-1993

TYPE-A NB MODE



TYPE	SIZE OF CLEAR D (mm)	D2	D3	D4	D5	h	t	α	QTY. OF CLIP		BOLT		SIZE OF OPENING	
									DEADLIGHT	GLASS KEEPER	THREAD	QUANTITY		
A	NB	200	204	250	350	310	155	10	---	2	---	M16	8	253
		250	254	305	400	364	182	12	---	2	---	M16	8	308
		300	304	360	450	414	207	15	31°	3	---	M16	12	363
		350	354	410	500	464	232	15	31°	3	---	M16	12	413
		400	404	460	550	514	257	19	31°	3	---	M18	12	463

TYPE-A LW / RW MODE

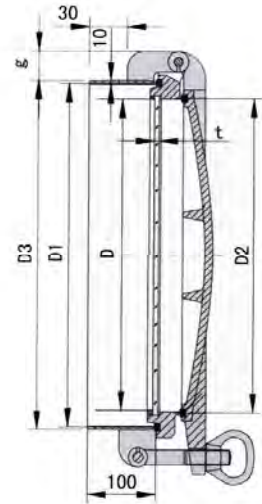
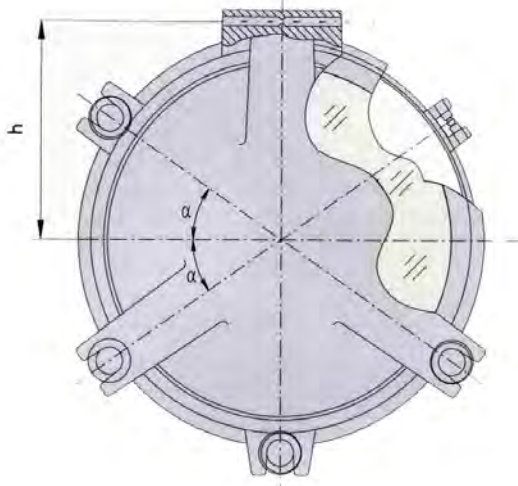


TYPE	SIZE OF CLEAR D (mm)	D1	D2	D3	h	t	α	g _{max}	QTY. OF CLIP		SIZE OF OPENING	
									DEADLIGHT	GLASS KEEPER		
A	LW RW	200	245	204	250	155	10	45°	50	2	3	253
		250	295	254	305	182	12	48°	47.5	2	3	308
		300	350	304	360	207	15	31°	45	3	3	363
		350	400	354	410	232	15	31°	45	3	3	413
		400	450	404	460	257	19	31°	45	3	3	463

MARINE SIDE SCUTTLE

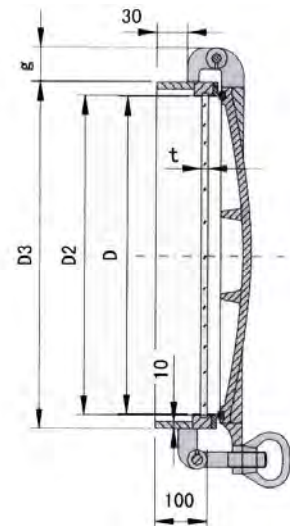
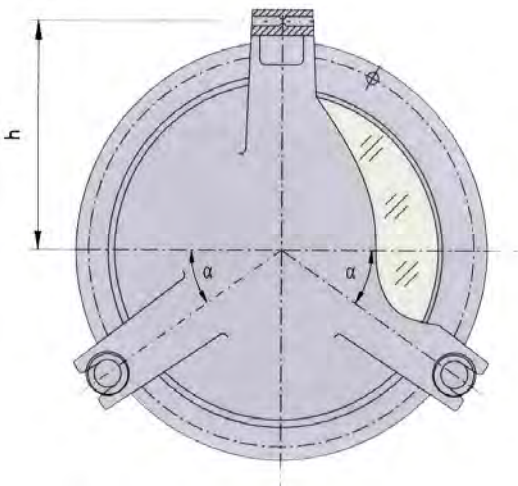
GB/T 14413-1993

TYPE-A SW MODE



TYPE	SIZE OF CLEAR D (mm)	D1	D2	D3	h	t	α	g _{max}	QTY. OF CLIP		SIZE OF OPENING	
									DEADLIGHT	GLASS KEEPER		
A	SW	200	245	204	250	155	10	45°	50	2	3	253
		250	295	254	305	182	12	42°	47.5	2	3	308
		300	350	304	360	207	15	31°	45	3	3	363
		350	400	354	410	232	15	31°	45	3	3	413
		400	450	404	460	257	19	31°	45	3	3	463

TYPE-A NW MODE

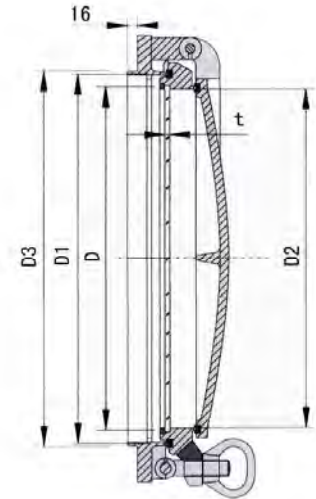
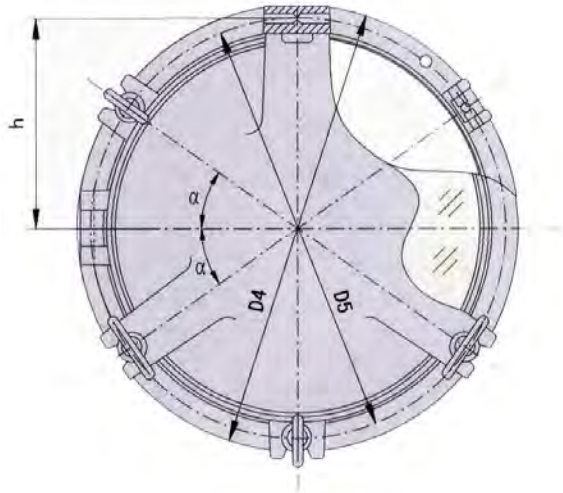


TYPE	SIZE OF CLEAR D (mm)	D2	D3	h	t	α	g _{max}	QTY. OF CLIP		SIZE OF OPENING	
								DEADLIGHT	GLASS KEEPER		
A	NW	200	204	250	155	10	---	50	2	---	253
		250	254	305	182	12	---	47.5	2	---	308
		300	304	360	207	15	31°	45	3	---	363
		350	354	410	232	15	31°	45	3	---	413
		400	404	460	257	19	31°	45	3	---	463

MARINE SIDE SCUTTLE

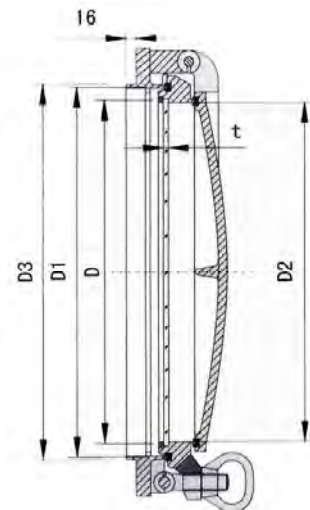
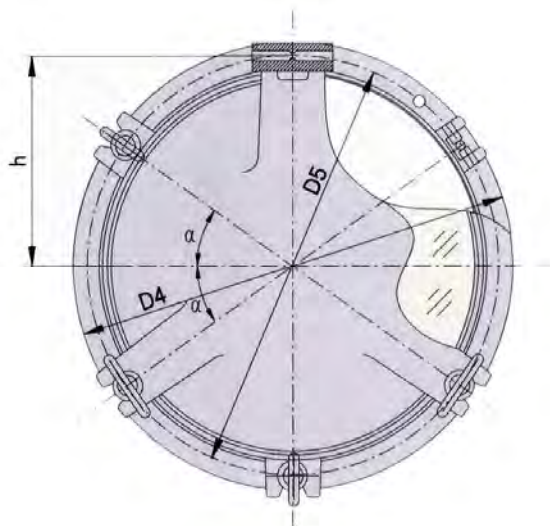
GB/T 14413-1993

TYPE-B LB / RB MODE



TYPE	SIZE OF CLEAR D (mm)	D1	D2	D3	D4	D5	h	t	α	QTY. OF CLIP		BOLT		SIZE OF OPENING	
										DEADLIGHT	GLASS KEEPER	THREAD	QUANTITY		
B	LB	200	245	204	250	350	310	155	8	45°	2	3	M12	8	253
		250	295	254	305	400	364	182	8	48°	2	3	M16	8	308
	RB	300	350	304	360	450	414	207	10	31°	3	3	M16	12	363
		350	400	354	410	500	464	232	12	32°	3	3	M16	12	413
		400	450	404	460	550	514	257	12	31°	3	3	M18	12	463
		450	500	454	510	600	564	282	15	31°	3	4	M20	12	513

TYPE-B SB MODE

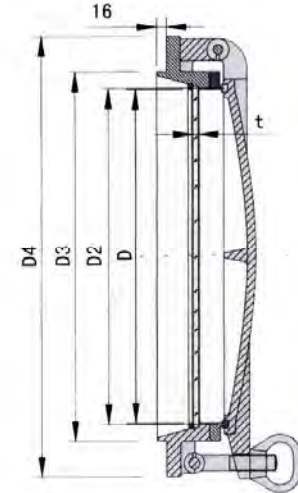
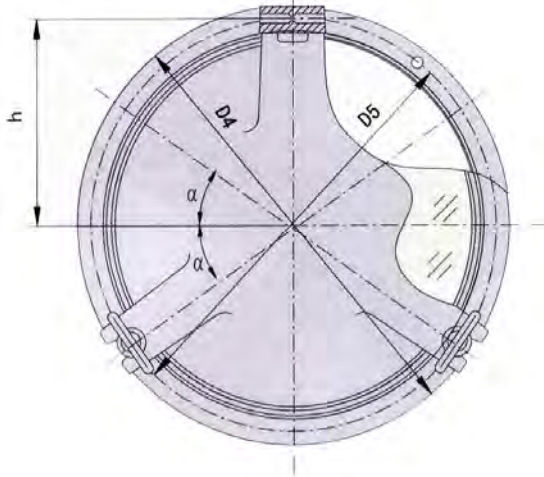


TYPE	SIZE OF CLEAR D (mm)	D1	D2	D3	D4	D5	h	t	α	QTY. OF CLIP		BOLT		SIZE OF OPENING	
										DEADLIGHT	GLASS KEEPER	THREAD	QUANTITY		
B	SB	200	245	204	250	350	310	155	8	45°	2	3	M12	8	253
		250	295	254	305	400	364	182	8	48°	2	3	M16	8	308
	SB	300	350	304	360	450	414	207	10	31°	3	3	M16	12	363
		350	400	354	410	500	464	232	12	32°	3	3	M16	12	413
		400	450	404	460	550	514	257	12	31°	3	3	M18	12	463
		450	500	454	510	600	564	282	15	31°	3	4	M20	12	513

MARINE SIDE SCUTTLE

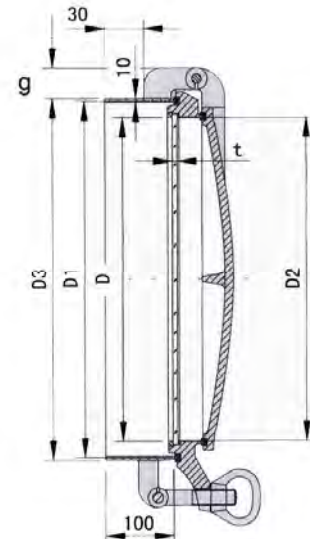
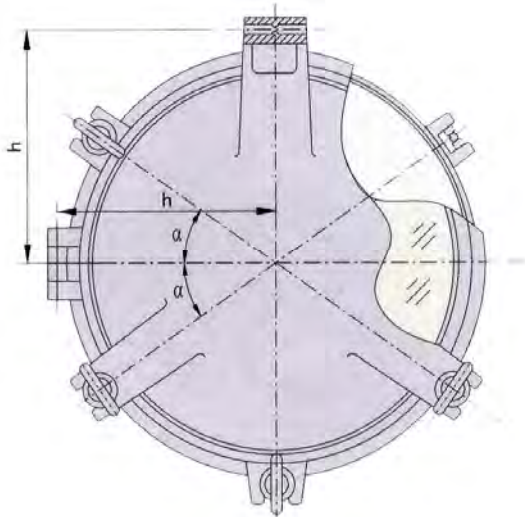
GB/T 14413-1993

TYPE-B NB MODE



TYPE	SIZE OF CLEAR D (mm)	D2	D3	D4	D5	h	t	α	QTY. OF CLIP		BOLT		SIZE OF OPENING	
									DEADLIGHT	GLASS KEEPER	THREAD	QUANTITY		
B	NB	200	204	250	350	310	155	8	---	2	---	M12	8	253
		250	254	305	400	364	182	8	---	2	---	M16	8	308
		300	304	360	450	414	207	10	31°	3	---	M16	12	363
		350	354	410	500	464	232	12	31°	3	---	M16	12	413
		400	404	460	550	514	257	12	31°	3	---	M18	12	463
	450	454	510	600	564	282	15	31°	3	---	M20	12	513	

TYPE-B LW / RW MODE

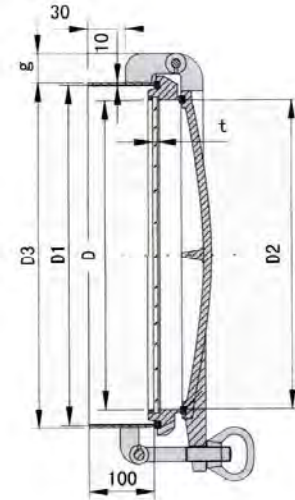
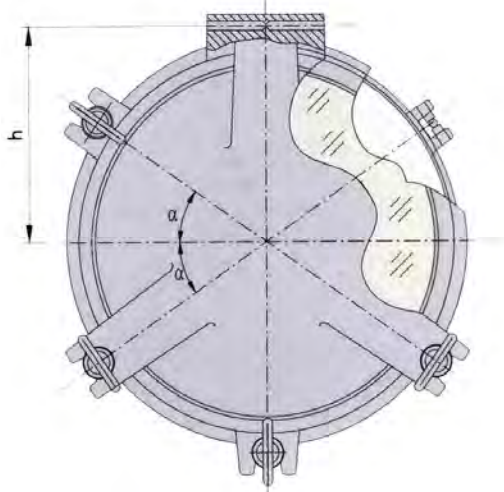


TYPE	SIZE OF CLEAR D (mm)	D1	D2	D3	h	t	α	g _{max}	QTY. OF CLIP		SIZE OF OPENING	
									DEADLIGHT	GLASS KEEPER		
B	LW	200	245	204	250	155	8	45°	50	2	3	253
		250	295	254	305	182	8	48°	47.5	2	3	308
		300	350	304	360	207	10	31°	45	3	3	363
		350	400	354	410	232	12	31°	45	3	3	413
		400	450	404	460	257	12	31°	45	3	3	463
	450	500	454	510	282	15	31°	45	3	4	513	

MARINE SIDE SCUTTLE

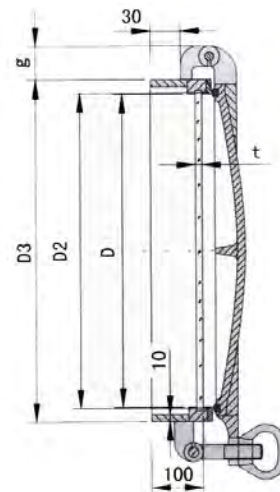
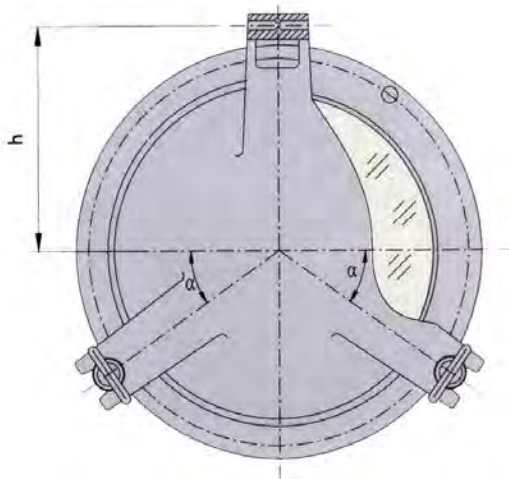
GB/T 14413-1993

TYPE-B SW MODE



TYPE	SIZE OF CLEAR D (mm)	D1	D2	D3	h	t	α	g _{max}	QTY. OF CLIP		SIZE OF OPENING	
									DEADLIGHT	GLASS KEEPER		
B	SW	200	245	204	250	155	8	45°	50	2	3	253
		250	295	254	305	182	8	42°	47.5	2	3	308
		300	350	304	360	207	10	31°	45	3	3	363
		350	400	354	410	232	12	31°	45	3	3	413
		400	450	404	460	257	12	31°	45	3	3	463
	450	500	454	510	282	15	31°	45	3	4	513	

TYPE-B NW MODE

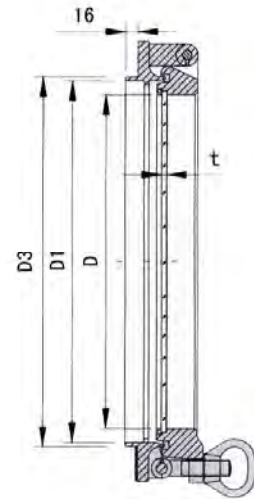
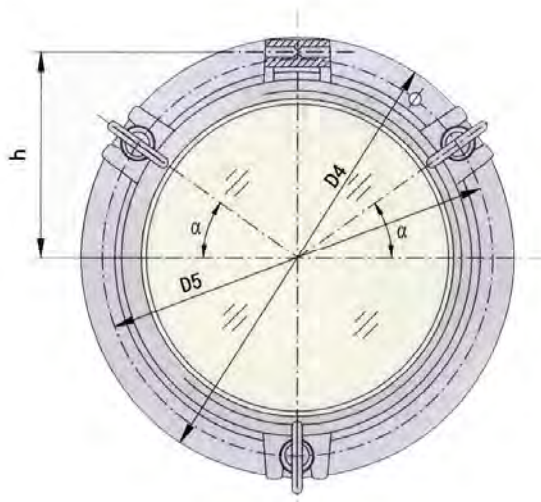


TYPE	SIZE OF CLEAR D (mm)	D2	D3	h	t	α	g _{max}	QTY. OF CLIP		SIZE OF OPENING	
								DEADLIGHT	GLASS KEEPER		
B	NW	200	204	250	155	8	---	50	2	3	253
		250	254	305	182	8	---	47.5	2	3	308
		300	304	360	207	10	31°	45	3	3	363
		350	354	410	232	12	31°	45	3	3	413
		400	404	460	257	12	31°	45	3	3	463
		450	454	510	282	15	31°	45	3	4	513

MARINE SIDE SCUTTLE

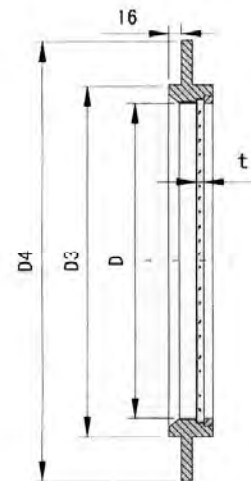
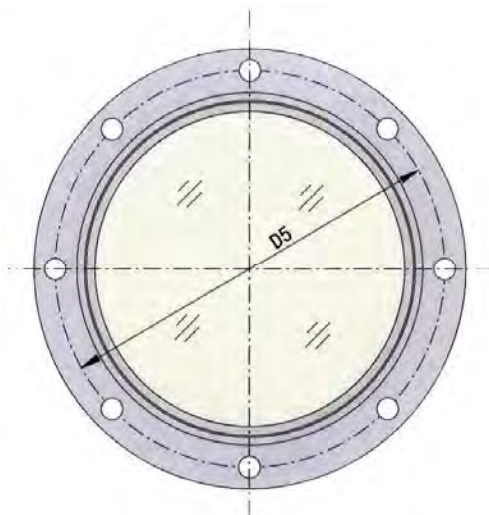
GB/T 14413-1993

TYPE-C LB / RB MODE



TYPE	SIZE OF CLEAR D (mm)	D1	D3	D4	D5	h	t	α	QTY. OF CLIP		BOLT		SIZE OF OPENING	
									DEADLIGHT	GLASS KEEPER	THREAD	QUANTITY		
C	LB	200	245	250	350	310	155	6	45°	---	3	M12	8	253
		250	295	305	400	364	182	6	42°	---	3	M16	8	308
	RB	300	350	360	450	414	207	8	31°	---	3	M16	12	363
		350	400	410	500	464	232	8	32°	---	3	M16	12	413
		400	450	460	550	514	257	10	31°	---	3	M18	12	463
		450	500	510	600	564	282	10	31°	---	4	M20	12	513

TYPE-C NB MODE

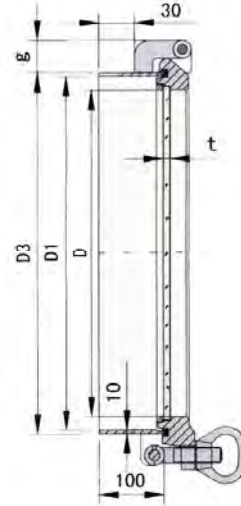
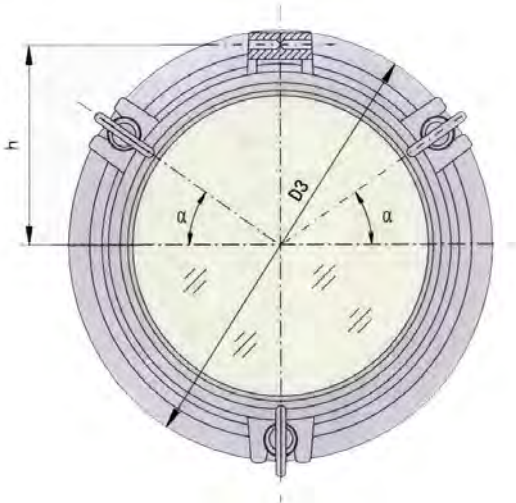


TYPE	SIZE OF CLEAR D (mm)	D3	D4	D5	t	BOLT		SIZE OF OPENING	
						THREAD	QUANTITY		
C	NB	200	250	350	310	6	M12	8	253
		250	305	400	364	6	M16	8	308
		300	360	450	414	8	M16	12	363
		350	410	500	464	8	M16	12	413
		400	460	550	514	10	M18	12	463
		450	510	600	564	10	M20	12	513

MARINE SIDE SCUTTLE

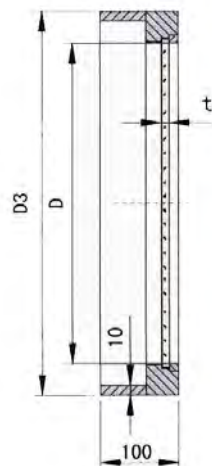
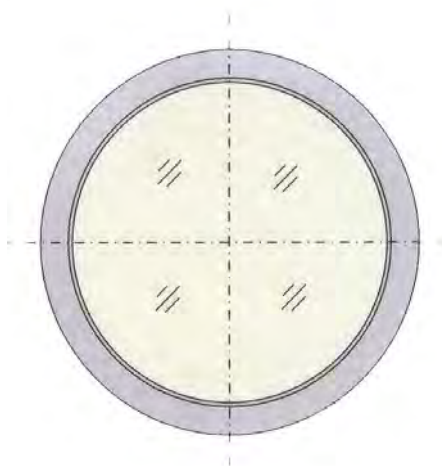
GB/T 14413-1993

TYPE-C LW / RW MODE



TYPE	SIZE OF CLEAR D (mm)	D1	D3	h	t	α	g_{max}	QTY. OF CLIP		SIZE OF OPENING	
								DEADLIGHT	GLASS KEEPER		
C	LW	200	245	250	155	6	45°	50	---	3	253
		250	295	305	182	6	42°	47.5	---	3	308
	RW	300	350	360	207	8	31°	45	---	3	363
		350	400	410	232	8	32°	45	---	3	413
		400	450	460	257	10	31°	45	---	3	463
450	500	510	282	10	31°	45	---	4	513		

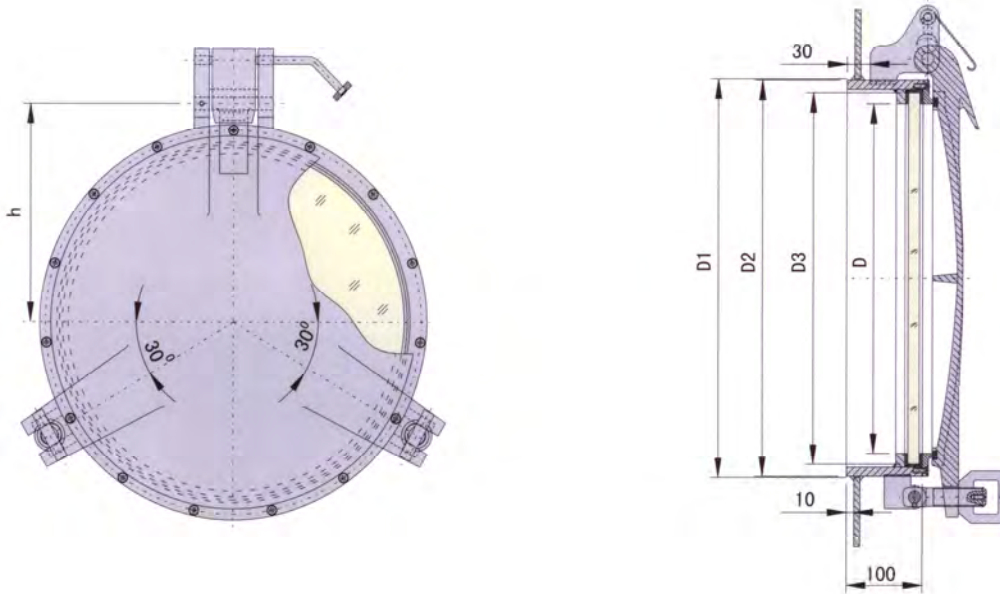
TYPE-C NW MODE



TYPE	SIZE OF CLEAR D (mm)	D3	t	SIZE OF OPENING	
C	NW	200	250	6	253
		250	305	6	308
		300	360	8	363
		350	410	8	413
		400	460	10	463
450	510	10	513		

A0 级防火舷窗

A0 CLASS FIREPROOF SIDE SCUTTLE



序号 NO.	公称尺寸 NOMINAL SIZE D	围壁开孔尺寸 B. H. OPENING SIZE D1	外形尺寸 SIZE OF OUTSIDE D2	主玻璃厚度 MAIN GLASS THICK. t		玻璃尺寸 SIZE OF GLASS D3
				重型 HEAVY	中型 MEDIUM	
1	φ 200	φ 253	φ 250	10	8	φ 228
2	φ 250	φ 308	φ 305	12	8	φ 278
3	φ 300	φ 363	φ 360	15	10	φ 328
4	φ 350	φ 413	φ 410	15	12	φ 378
5	φ 400	φ 460	φ 463	19	12	φ 428
6	φ 450	φ 513	φ 510	19	15	φ 478